

# Compact, Ultra-Low Delay MPEG2 Encoder

## HD c3000e

HD c3000e is an HD (High Definition) –compatible MPEG2 encoder equipped with a compact and light ultra–low delay MPEG2 encoder core, which can be attached to a wireless HD relay camera. Digital signal input via SDI interface can be encoded in MPEG2 format and the stream data can be output to ASI interface in TS format, etc. Audio signal is compatible with linear PCM (SMPTE302M–compliant).



**The ultra-compact HD c3000e can be integrated with an HD camera using a commercial V-shaped holder.**

### Key Features

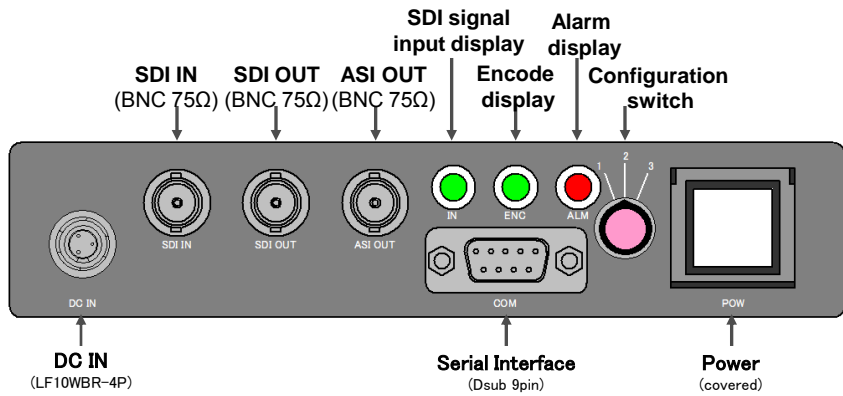
- ◆ Industry's first, compact, lightweight and power-saving design.
- ◆ Delay through the encoder and the decoder is only 10 msec.
- ◆ The case is made of material with high thermal conductivity and employs a fan-less, drip-proof and dust-proof design.
- ◆ Up to three sets of configuration files can be memorized.
- ◆ HD c3000e can be mounted to a camera using a detachable commercial V-shaped holder.

### Case Studies

- ◆ Live Broadcasting of Digital High Vision Concert
- ◆ Broadcasting and Shooting of Sports Contents
  - Pro-golf Tournaments, Horse racing, Formula1(F1) racing.. etc.
- ◆ Other remote uses
  - Video Conference, Remote Monitoring, Remote Quality Management for manufacturing.. etc.

*This product was jointly developed with and under the guidance of Fuji Television Network, Inc.*

## Front Panel



## Specifications

項目		仕様
Video	Input	HD-SDI (SMPTE292M) SD-SDI (SMPTE259M)
	Encoding Scheme	MPEG-2 Video (ISO/IEC13818-2)
	GOP Structure	I only, P only
	Cross Format	4:2:2, 4:2:0
	Video Format	1080/59.94i, 720/59.94p, 480/59.94i
	Profile Level	HD : MPEG-2 MP@HL, 422P@HL, MP@H14L SD : MPEG-2 MP@ML, 422P@ML
	Encoding Control Mode	CBR
Audio	Scheme	SDI-Embedded
	Number of Channels	2ch, 4ch, 6ch, 8ch
	Signal Format	SMPTE302 (LPCM) LPCM sampling frequency: 48KHz 16bit, 20bit, 24bit
Multiplexing	Stream Format	MPEG-2 TS
	Output	DVB-ASI
	Video bit rate	Max 190Mbps
	Audio bit rate	Max 11Mbps (at 24bit/8ch)
CODEC	Delay*	1080i, 720P : Approx. 10ms
Control	External Control	GUI screen on PC
Power	Power Input	DC12V (DC9V~18V)
	Power consumption	25W or less (without fan)
Other	Operating Temperature *2	0 ~ 45°C
	Out dimension	160 x 160 x 35 (mm) (Not include protrusions )
	Weight	700g or less

\*1 Only using HLD-2000D manufactured by IBEX Technology Co. Although the HD c3000e encoder will operate normally with other decoders, delay time will be longer than the above specifications.

\*2 When using FAN attachment option. With out the FAN, the operation temperature is 0 - 40°C.

NOTE: The specifications of this product are subject to change without prior notice.



株式会社 前業

Shibuya Mark City W-22F 1-12-1, Dogenzaka, Shibuya-ku  
Tokyo 150-0043 Japan

Phone: +81-3-4360-5446 Fax: +81-3-4360-5301

e-mail: info@big-frontiers.co.jp

URL: Home page: http://www.big-frontiers.co.jp

This product is can be customized to requested specifications.  
Please feel free to contact our sales group about the details of the product.